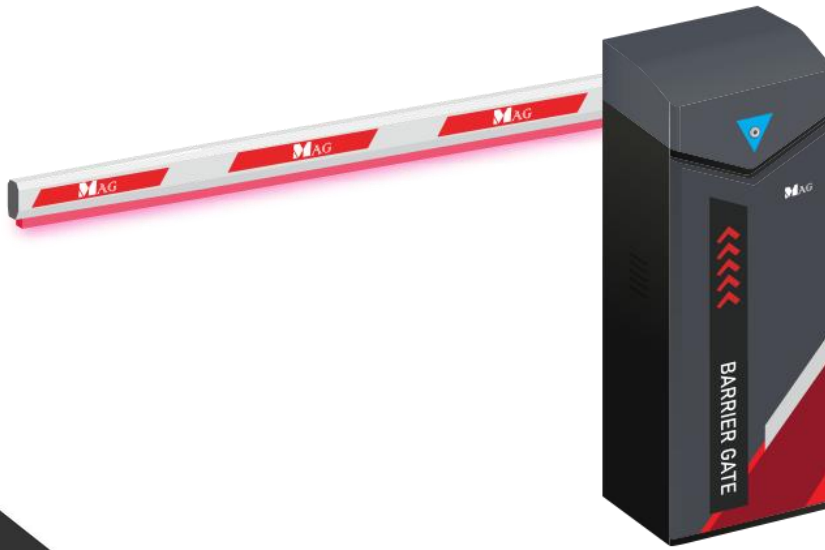


## SPECIFICATION



# BG600 MAG BARRIER GATE



## BG600 MAG BARRIER GATE

### Description

The MAG BG600 Barrier Gate is a modern re-imagining of the award-winning BR600T. Featuring local spare parts and the reliable, low-maintenance BlueSpeed motor, the BG600 ensures secure, stylish entrance control for years to come.

### Features

- 1. DSP Dual Spring mechanism** to achieves smoother arm motion with reduced vibration, minimizing spring damage and downtime.
- 2. DSD Dual Sensor Detection** Monitors motor rotation and current spikes to auto-reverse the arm, enhancing safety by preventing collisions with vehicles or pedestrians.
- 3. BlueSpeed motor** uses lowest possible RPM and force rotation ratio technology for high-speed operation, reducing wear and eliminating motor maintenance.
- 4. Improved air ventilation.** New top-mounted fan design optimizes airflow, enhancing cooling for higher traffic capacity..
- 5. Improved NLSV2 design.** NLS V2 is using magnet sensor instead of optical sensor. Optical sensor is subjected to interference from ambient light level. New NLS design removed all blind spot area to achieve perfect opening and closing consistently.
- 6. Enhanced Safety.** Auto-reverse arm prevents damage, with optional photo beams for pre-emptive reversal. Swing-out arm avoids breakage in collisions (available in BR618T and BR630T).
- 7. Traffic light** can be added to improve safety and direct traffic, while the built-in MCB protects against electrical hazards.
- 8. Heavy Duty.** Enhanced NLS design eliminates the use of mechanical limit switch thus reducing mechanical wear and tear. Innovative counter weight spring design avoids possibility of motor over-stressed and break due to high volume continuous open/close cycle. All these allow BG600 to work harder and work longer for you.
- 9. User Friendly.** In the event of power failure, arm can be easily unlocked with a key without exposing internal parts, preventing vandalism.
- 10. Easy maintenance.** Epoxy powder paint keeps the unit clean, while the AC motor requires no carbon changes, ensuring a maintenance-free experience).

## Technical Parameter

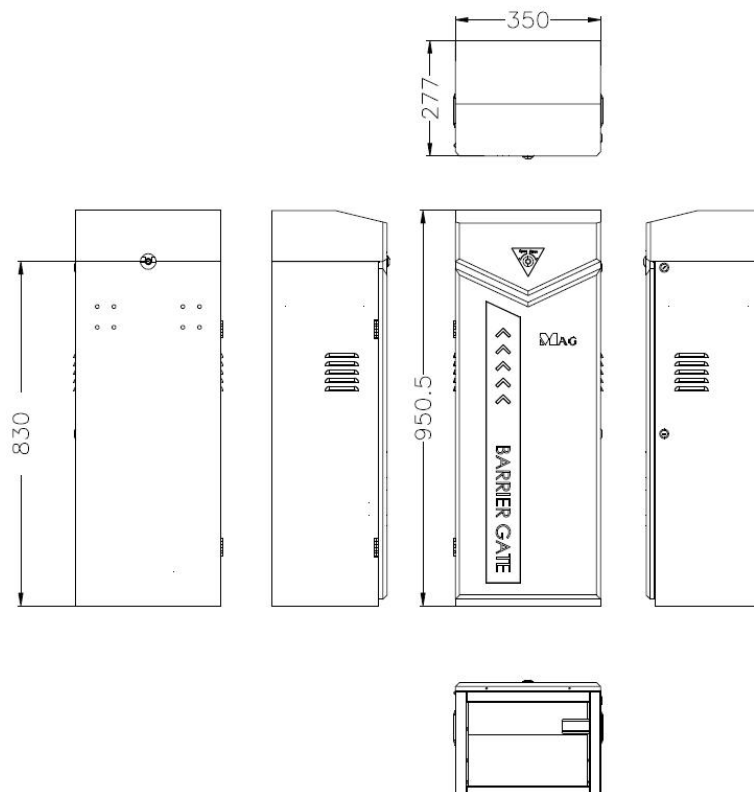
Motor	MAG BlueSpeed AC motor
Max starting torque	Max torque : 2.1 ± 0.1 N.M
AC rotation speed	AC rotation speed : 460 ± 40 RPM
Mechanical temperature	-40° to 75 C
Electrical temperature	-10° to 75 C
Power supply input	220V ± 10% AC, 50/60Hz
Power consumption	80 watt - 1.25A @ 240V
Starter	Starter Capacitor 9+9μF 540VAC
Relative humidity	< 90 %, non-condensing
Arm speed	1.8 second, 3 second, 6 second
Internal lubrication	Grease
IP rating	IP44
Mean Time Before Failure	4 million cycle

*\*Barrier arm may have minimal jerk at end position due to manufacturing tolerance of tension spring and drive mechanism. Improper usage (e.g. using heavier or longer arm, extending or retracting telescopic arm wrongly, wrong spring tension) may cause exaggerated shaking and accelerated wear and tear.*

*\*\*Barrier arm open and close position may vary ±1° due to manufacturing tolerance, which do not affect functionality or reliability.*

## Dimension

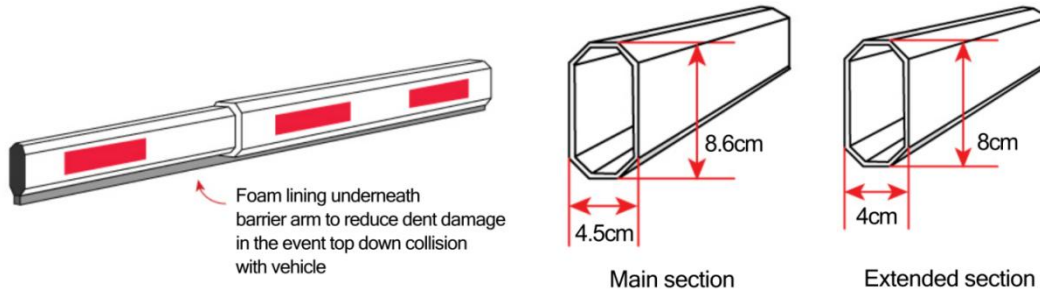
### Housing



**Barrier arm**

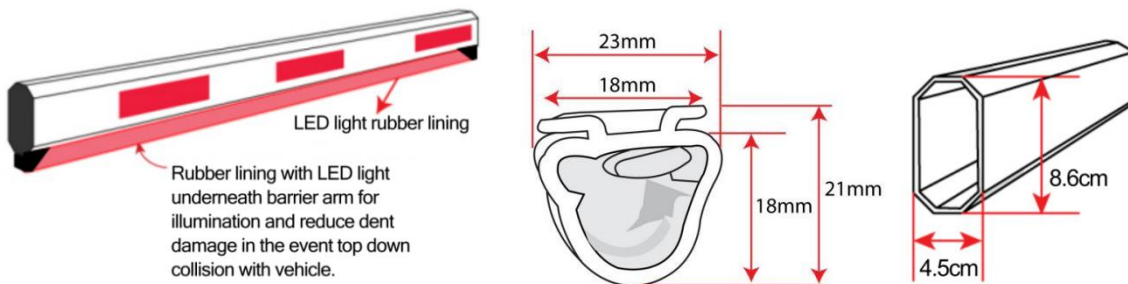
**Telescopic arm (no LED)**

The arm is constructed from octagonal hollow aluminum, available in a standard length of 4m, 4.5m and 6m. Custom lengths are also available upon request. Red reflective adhesive is applied alternately on the arm for improved visibility at night.

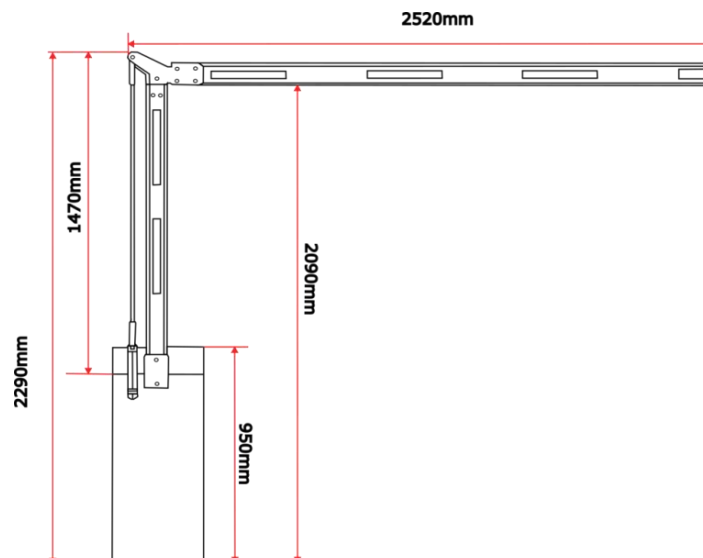


**LED straight arm (non-telescopic)**

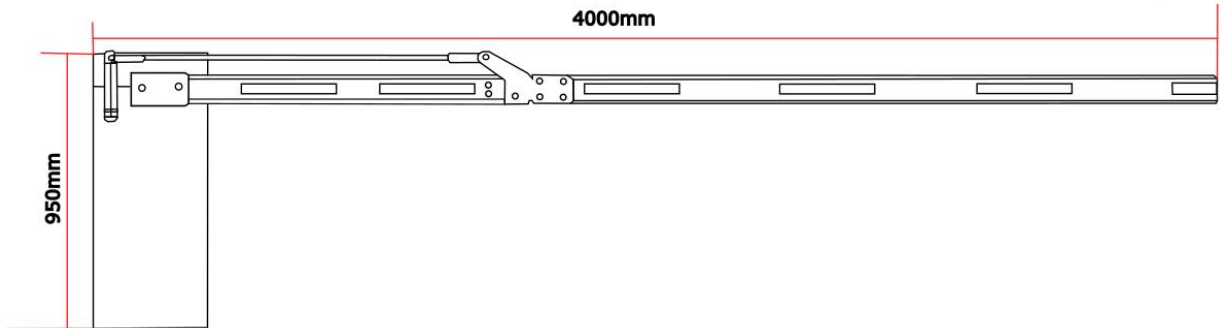
The arm is made of octagonal hollow aluminum and comes in two standard lengths: 4m or 5m, depending on the barrier gate model. A rubber-lined LED light can be easily installed beneath the straight barrier arm. The LED light is available in standard lengths of 3.5m and 4.5m, but can be trimmed to shorter lengths to meet customer requirements.



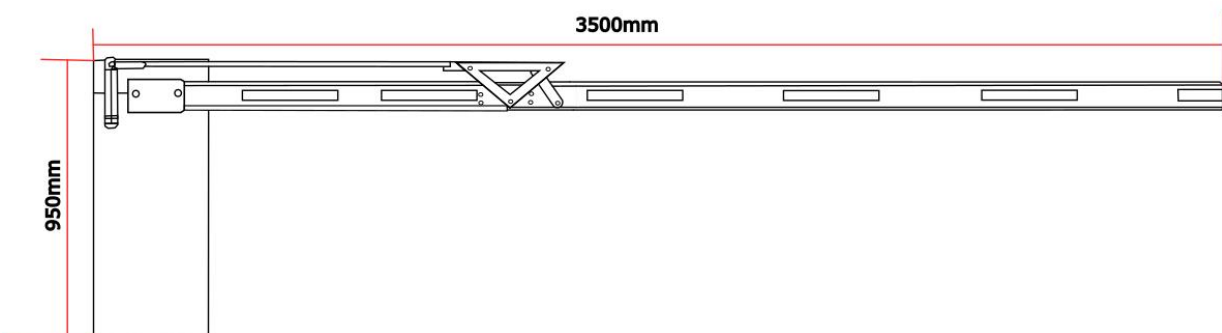
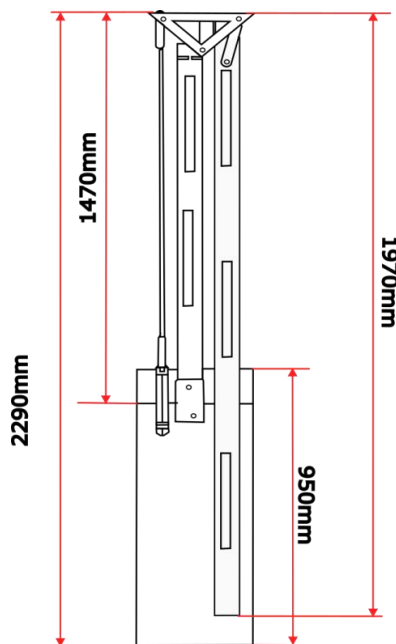
**90° folding arm**



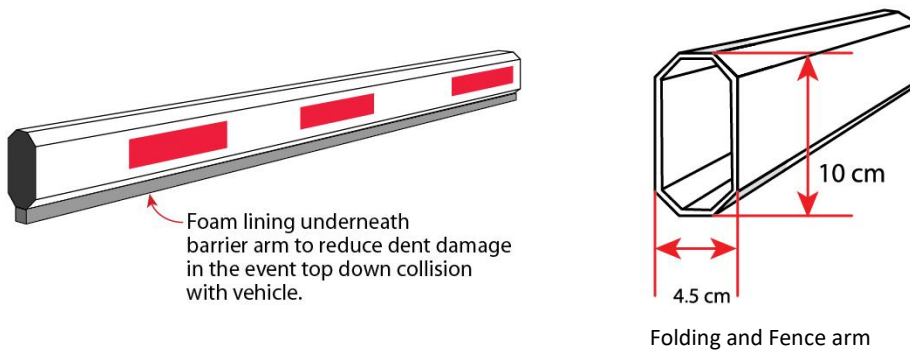
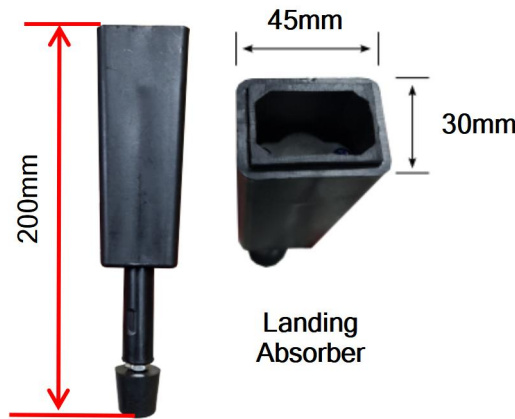
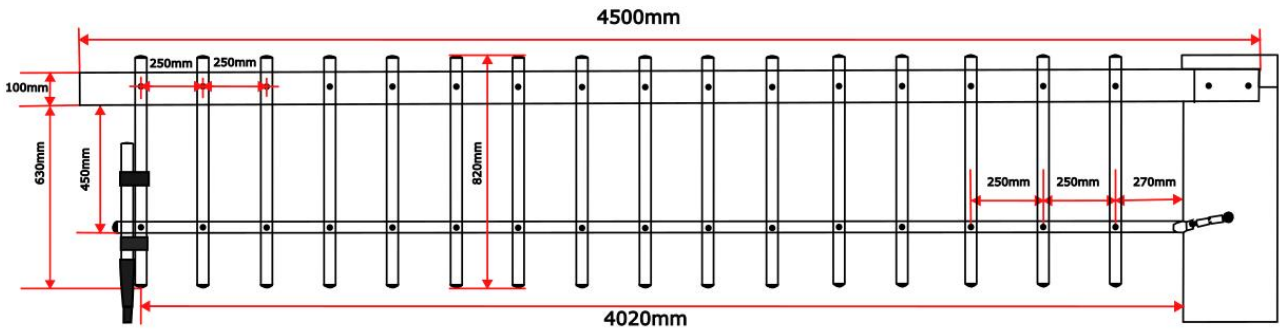
# SPECIFICATION



## 180° folding arm



**Fence arm**



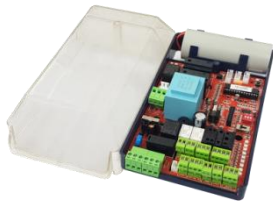
**NOTE**  
 For indoor parking applications, a folding arm is recommended due to its space-saving design.  
 However, for outdoor installations exposed to harsh weather conditions, upgrading the folding arm connectors to a stainless steel variant is advisable to ensure long-term durability and resistance to corrosion.

## Mechanical Unit

The system consists of a drive motor, gearbox, and housing. The control panel is integrated into the mechanical unit housing, forming a complete system that drives the arm movement. The housing is constructed from electroplated mild steel and finished with epoxy powder paint for durability. Both the top cover and door are secured with cam locks, requiring a key to prevent tampering with the internal components.

## Control panel

Consist of advanced intelligent microprocessor based board and transformer housed in a weather resistant plastic casing. It controls the operation of the barrier system.

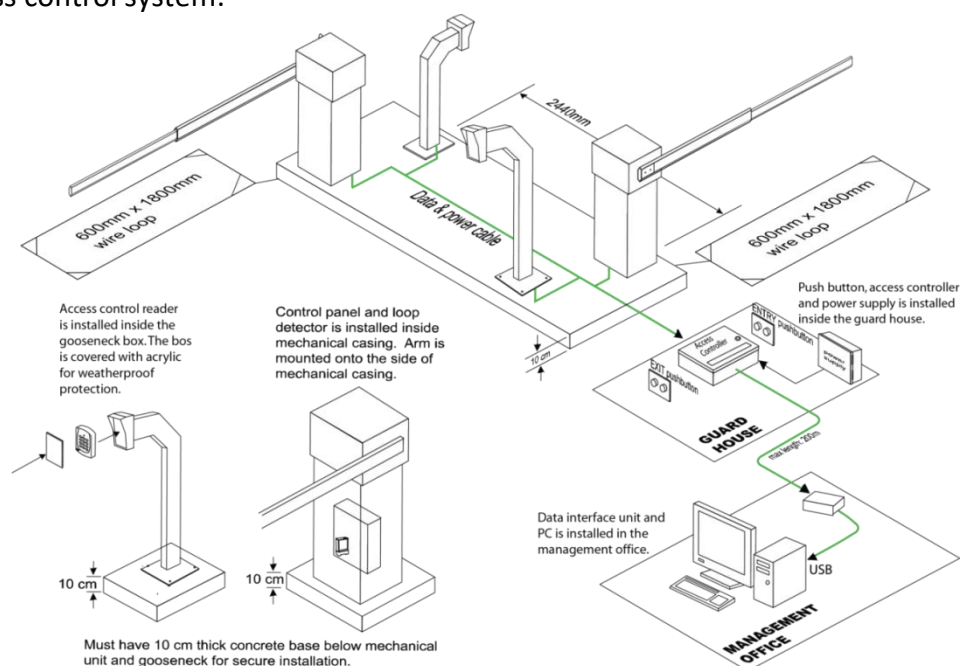


Support all 3 model - 1.8 , 3 second, 6 second  
Support traffic light (red – green) output AC230  
Casing is made from weather proof ABS plastic.  
Casing dimension: 211mm x 95mm x 118mm

## Typical Installation\*

\*Diagram is for illustration only and does NOT reflect actual installation. Actual installation dimension varies depending on site.

With access control system:



## Packaging Information

A complete system consists of:

1 pcs	Standard AC 230 Motor
1 pcs	Control panel and MCB switch
1 set	Aluminum Arm
2 pcs	U bracket for base mounting
4 pcs	Rawl bolt screw
1 pcs	DC 12V Switching Power Supply

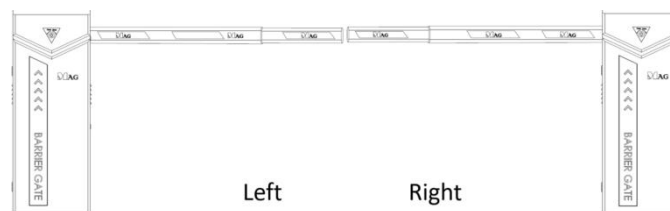
The following is the approximate weight information of major components to help estimate shipping cost.

Items	Weight
Mechanical unit and control panel	65 kg
Gooseneck	9 kg
6 meter arm	7 kg
4 meter arm	5 kg
3 meter arm	3 kg

Following is the approximately length of the telescopic arm after retracted

Full length	Retracted
4 meter arm	2.68 meter
4.5 meter arm	2.9 meter
6 meter arm	3.6 meter

## Ordering Information

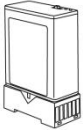


Model	Open/close speed	Max arm length & type	Arm swing out
BG652	1.8 sec	4m straight	Yes
BG657	3 sec	4.5m straight	Yes
BG658	6 sec	6m straight	No
BG652_90	1.8 sec	4m folding	No
BG657_90	3 sec	4m folding	No
BG657_180	3 sec	3.5m folding	No
BG658_FE	6 sec	4.5m fence	No

Left side	BG652-L, BG657-L, BG658-L, BG652-L90, BG657-L90, BG657-L180, BG658-LFE
Right side	BG652-R, BG657-R, BG658-R, BG652-R90, BG657-R90, BG657-R180, BG658-RFE



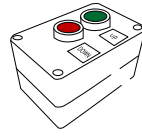
## Optional Accessories



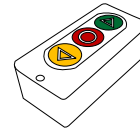
**MAG BRD05**  
**Single channel loop detector.** Detect presence of vehicle. With feature of Extra Wide Inductance (EWI)



**MAG BRD03**  
**DualRay and LED Display Vehicle traffic detector.** Detect presence of vehicle and pedestrian.



**BR\_PB2**  
Push button for manual open and close.



**BR\_PB3**  
Push button for manual open, stop and close.

\*Product performances is based on testing in a controlled environment. Your result may vary due to several external and environment factors.



© COPYRIGHT 2025. This documentation served as a reference only. It is subject to change without further notice. The images shown are for illustration purposes only and may not be an exact representation of the product. All the diagrams and information in this documentation may not be duplicated or modified in any form without the written approval from the management.