

BRD02 DualRay Traffic Detector

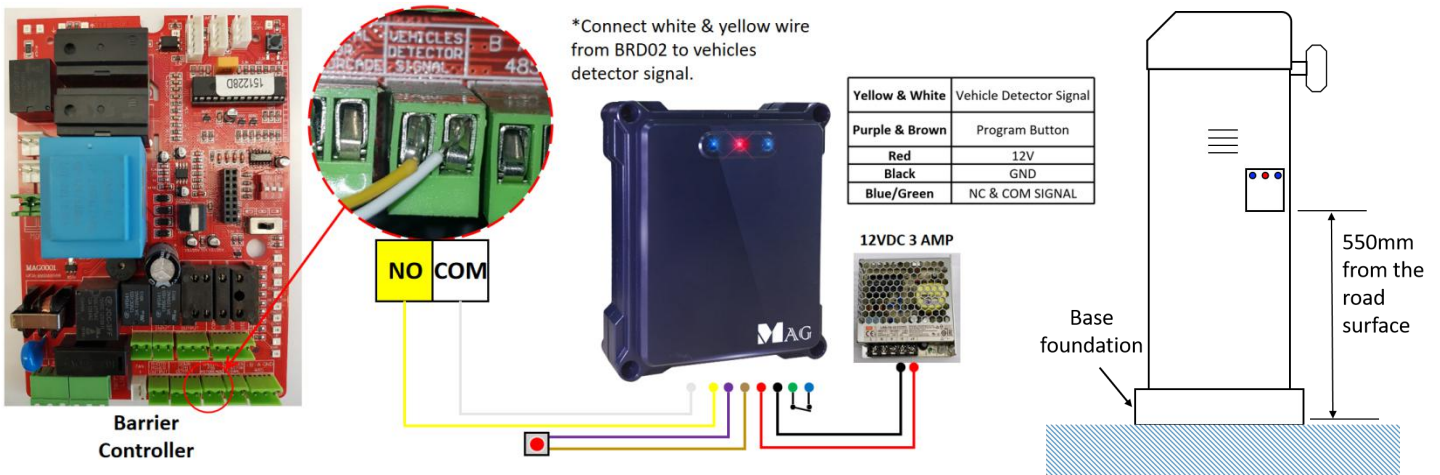
WWW.MAG.COM.MY



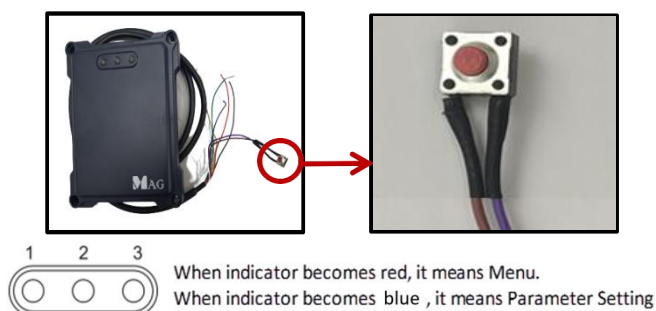
Technical Specification

Description	Parameter
Input Voltage	DC 12V, 150 mA
Detection	Dual lens for 3D detection
Working Frequencies	24 - 24.5 Ghz
Modulation Mode	FMCW
Transmission Power	10 - 15 dBm
Detection Distance	1 - 6 Meters, + 0.2 meters
Working Temperature	-40°C - 85°C
IP Rating	IP 67
Dimension	115mm (L) x 95mm (W) x 25mm (H)

Installation and Wiring



Menu selection



Menu No. Reading Method:
1) LED 1 = Menu No. 1
2) LED 2 = Menu No. 2
3) LED 3 = Menu No. 3

4) LED 1 & 3 = Menu No. 4
5) LED 2 & 3 = Menu No. 5
6) LED 1, 2 & 3 = Menu No. 6

Table 1

Setting instruction:

1. Press and hold the button for 3 seconds.
2. The red light will be blinking from left to right.
3. Let go the button when the blinking LED is the menu you desired. (Refer to Table 1)
4. The LED will turn blue once in the parameter setting.
5. Adjust setting by using the button.
6. After done, press and hold the button until all red LED flash then let go the button, it will automatically save and exits the menu.
7. Once complete only red light LED 2 will remain ON.

*(Note: After done any setting, it must be saved; otherwise the setting will not change and the detector will automatically exit the menu setting after 10 seconds)

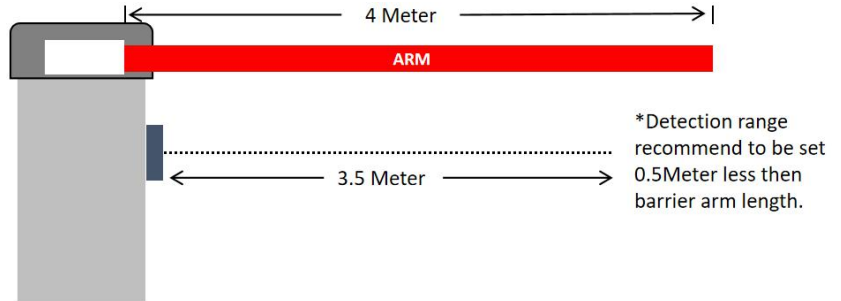
Function Parameter Setting and Description

Traffic Detector Parameter Setting

Menu No.	Parameter Setting	Remark	Default Value
LED 1	Set maximum detection distance	Accumulate 0.5m each time	2.5 meters
LED 2	Detection sensitivity	1 : Low / 2 : Medium / 3 : High	2

1) Detection distance

- Default distance is 2.5 meter.
- When detection distance is 1 meter, Blue light LED 1 is Hold.
- When detection distance is 1.5 meter, Blue light LED 1 is blinking
- The longer the detection distance, the more LED will turn on. (Refer to Table 2)



LED Indicator	Distance (meter)	Blue LED Status	LED Indicator	Distance (meter)	Blue LED Status
LED 1	1.0	Hold	LED 1 & 3	4	Hold
LED 1	1.5	Blinking	LED 1 & 3	4.5	Blinking
LED 2	2.0	Hold	LED 2 & 3	5	Hold
LED 2	2.5	Blinking	LED 2 & 3	5.5	Blinking
LED 3	3.0	Hold	LED 1, 2 & 3	6	Hold
LED 3	3.5	Blinking			

Table 2

Setting instruction:

1. Press and hold the button to enter Menu 1.(Refer to Table 1)
2. When the LED 1 red light is on. Let go the button.
3. Press the button to set the distance.(Refer to Table 2)
4. After select distance. Press and hold the button, all 3 LED red light start blinking.
5. After setting is done only LED 2 red light will on.

*(Note: Make sure detection range is 0.5 meter less then the actual arm length)

2) Detection sensitivity

- Default sensitivity is medium.
- When sensitivity is medium, LED 2 blue light is Hold.
- Higher sensitivity, different LED will turn on from LED 1 to 3.

LED Indicator	Sensitivity	Blue LED Status
LED 1	Low	Hold
LED 2	Medium	Hold
LED 3	High	Hold

Table 3

Setting instruction:

1. Press and hold the button to enter Menu 2. (Refer to Table 1)
2. When the LED 2 red light is on. Let go the button.
3. Press the button to adjust the sensitivity. (Refer to Table 2)
4. After selecting sensitivity, press and hold the button until all 3 LED red light start blinking.
5. After setting is done only LED 2 red light will on.

*(Note: For Trucks or High Base Vehicle Please set sensitivity to High and refer to the installation manual for more information.)

3) Compulsory Reset & Update Background Calibration

It is compulsory to perform background calibration for BRD02 DualRay to learn the new ambient environment to ensure accurate detection.

Setting instruction:

Update Background and Reset Default Parameter Setting :

1. Press and hold the program button to enter Menu 2. (Refer Table 1, Page 1)
2. When the LED 2 red light is on. Let go the program button.
3. Press the program button until all 3 LED blue light start blinking then press and hold the program button.
4. When all 3 LED red light start blinking let go the program button.
5. After setting is done only LED 2 red light will on.
6. Before perform the Reset & Update Background calibration, make sure there is no object within the detecting range of the traffic detector.

SPECIAL NOTE

- * Make sure to use low noise power supply.
- *Only install the BRD02 Dual Ray on flat surface and do not install it in front uneven road surface.

*For fence arm barrier setting, please refer to full installation manual.

*For full installation manual and setting, please scan the QR Code beside.

SCAN HERE: